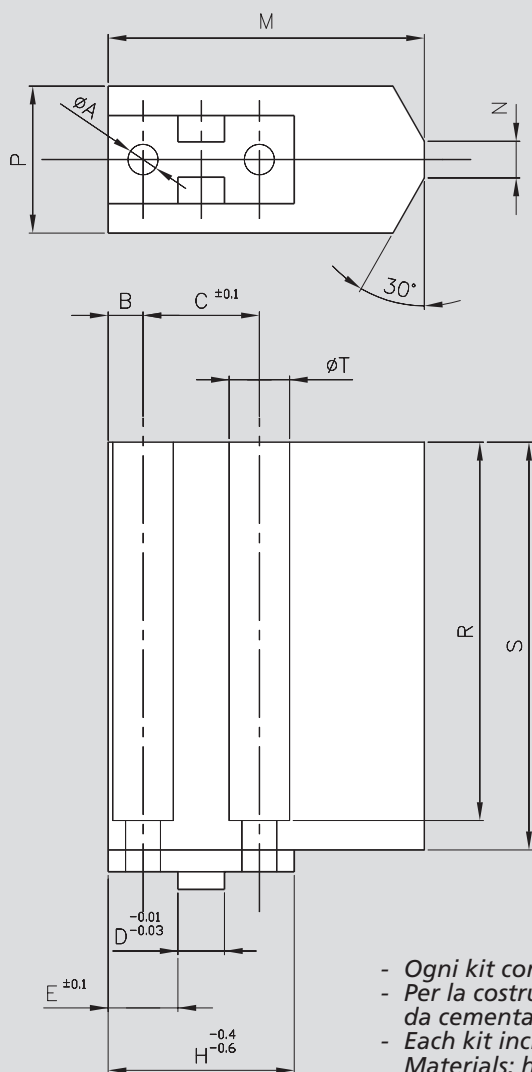
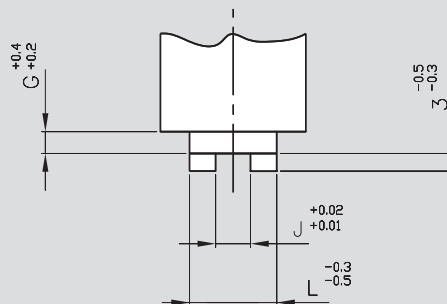


Morsetti fresabili Top jaws blanks Aufsatzbackenrohlinge Mors doux rapportés



TYPE	Valid for
GR-...-64	OPP2-64/OPM 064/MAC3-64 MFB-85/MA4-75/MIA1-G2-20
GR-...-80	OPP2-80/OPM 080/MAC3-80 MFB-110/MA4-95/MIA1-G2-25
GR-...-100	OPP2-100/OPM-100/MAC3-100 MFB-140/MA4-110/MIA1-G2-32
GR-...-125	OPP2-125/OPM-125/MAC3-125 MFB-170/MA4-145/MIA1-G2-40
GR-...-160	OPP2-160/OPM-160/MAC3-160 MFB-220/MA4-185/MIA1-G2-50
GR-...-180	OPP2-180/MIA1-G2-54
GR-...-200	OPP2-200/MAC3-200/MA4-230 MIA1-G2-60
GR-...-250	OPP2-250/MAC3-250/MIA1-G2-80
GR-...-320	OPP2-320/MIA1-G2-100



- Ogni kit comprende una griffe e n° 2 viti.
 - Per la costruzione è utilizzato alluminio ad alta resistenza oppure acciaio da cementazione temprabile
 - Each kit included one jaw and two screws
- Materials: high tensile aluminium ally or cement steel

Tipo	A	B	C	D	E	G	H	J	L	M	N	P	R	S	T	acciaio	Material aluminium
Type	A	B	C	D	E	G	H	J	L	M	N	P	R	S	T	steel	Materials aluminium
Typ	A	B	C	D	E	G	H	J	L	M	N	P	R	S	T	Stahl	Material Aluminium
Type	A	B	C	D	E	G	H	J	L	M	N	P	R	S	T	acier	Matière aluminium
GR ...64	4.5	4	13	5	9	5	21	4	11	32	3	20	59.5	64	8	GR-CC-64	GR-LL-64
GR ...80	5.5	5	16	6	10	7	25.5	5	13	41	4	22	74.5	80	10	GR-CC-80	GR-LL-80
GR ...100	6.5	6	20	8	12	8	32	6	15	51	5	30	94.5	100	11	GR-CC-100	GR-LL100
GR ...125	9	8.5	24	8	16.5	9	40.5	6	18	60	6	35	119.5	125	15	GR-CC-125	GR-LL-125
GR ...160	11	9	32	10	20	10	50	8	22	80	8	40	153.5	160	17	GR-CC-160	GR-LL-160
GR ...180	11	9.5	36	12	21.5	10	55	10	26	90	8	40	173	180	17	GR-CC-180	GR-LL-180
GR ...200	13	11	40	14	24	10	62	12	30	108	10	46	187	200	20	GR-CC-200	GR-LL-200
GR ...250	13	17	48	16	33	13	80	12	36	135	12	50	187	250	20	GR-CC-250	GR-LL-250
GR ...320	17	18	64	20	40	13	100	16	44	160	16	60	187	320	26	GR-CC-320	GR-LL-320